

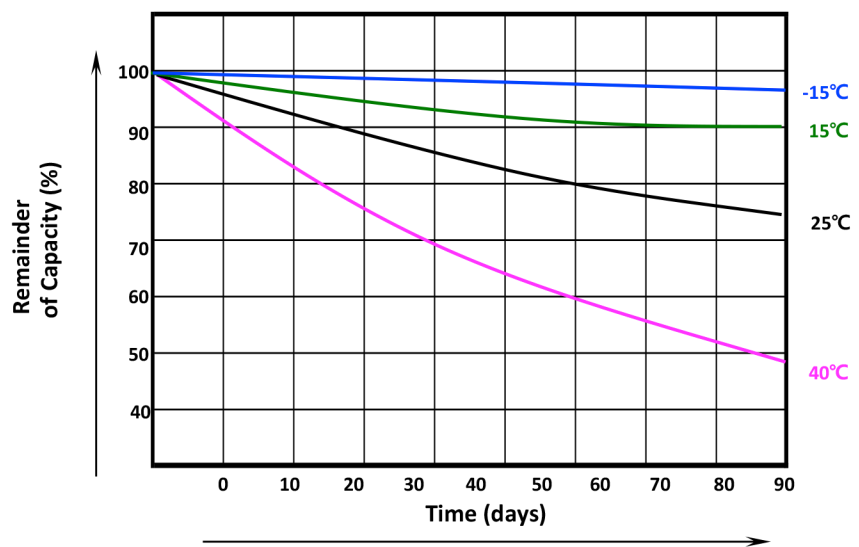
DATA SHEET

CODICE ARTICOLO F-L3EFB70680

Specification

| | | |
|----------------------------------|---|-------|
| Norminal Voltage | 12V | |
| Norminal Capacity(20Hr) | 70Ah | |
| EN CCA(Cold Cranking Amphere) | 680A | |
| Dimension | Length | 275mm |
| | Width | 174mm |
| | Container Height | 189mm |
| | Total Height (with Terminal) | 189mm |
| Approximate Weight | Approx 18.9kg | |
| Terminal Shape | Standard shape according to EN standard | |
| Terminal Layout | Layout 0 | |
| Container Material | PP(polypropylene) | |
| Norminal Operating Temp. Range | 25±3 °C (77±5°F) | |
| Capacity affected by Temperature | 40 °C (104°F) | 105% |
| | 25 °C (77°F) | 100% |
| | 0°C (32°F) | 85% |

Self-discharge Characteristic

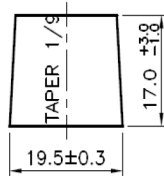
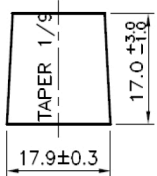
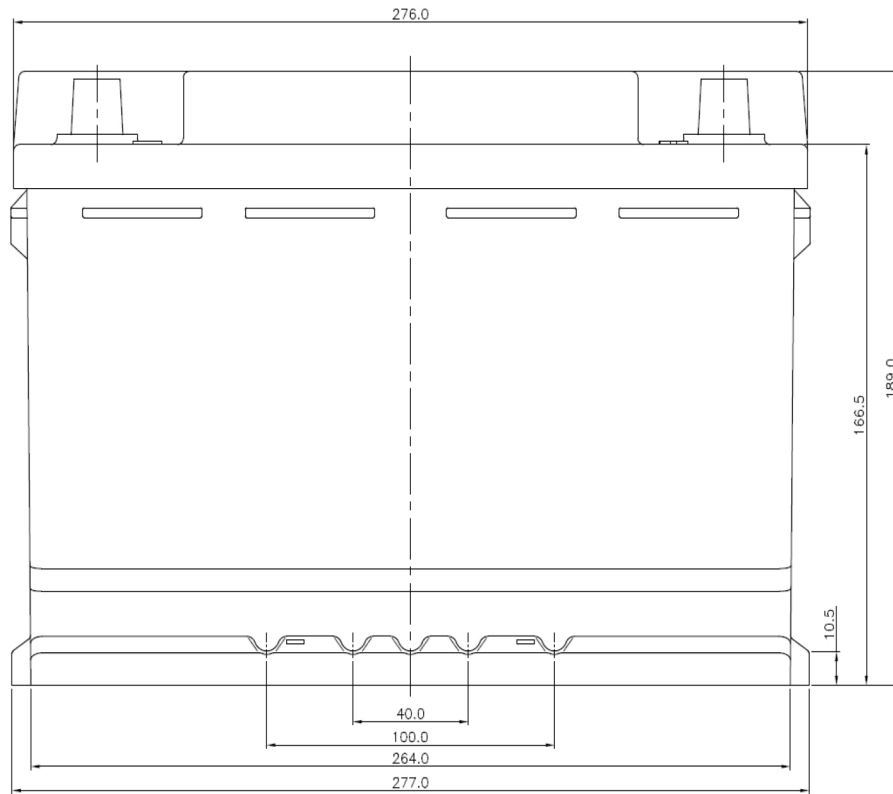
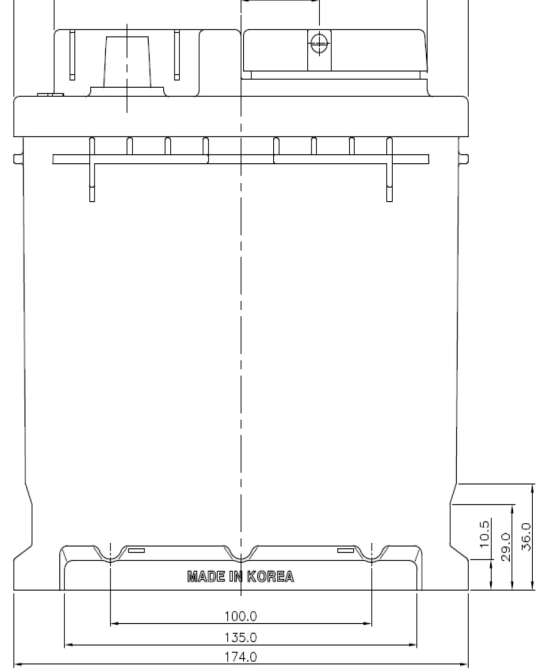
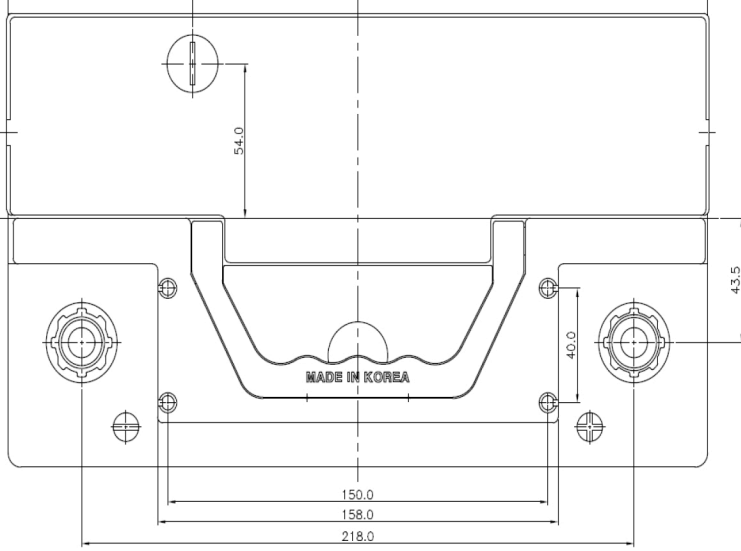


Test definition (EN50342:2001)

EN CCA : The battery is required to meet a voltage of 7.5V after 10 seconds and after 10 seconds rest, the battery is further discharged @ 0.6 x original current and is required to complete 73s until 6V in the second stage giving a total combined discharge period of 90 seconds [assume initial period equates to (10s/0.6) 16.7 seconds.]

Drawing





NEGATIVE TERMINAL

POSITIVE TERMINAL